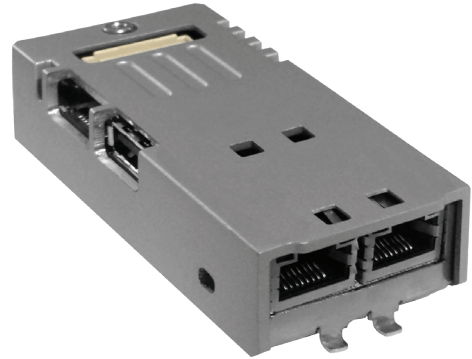


# PLCM07 Tech-Note

---

## Secure Cloud Connector

- Includes openVPN/SSL software
- Firewall-friendly connections
- Dual Ethernet ports (WAN/LAN)
- Easy module update with USB and SD interfaces



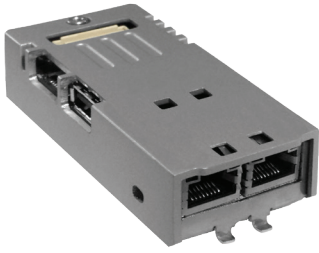
## Highlights

PLCM07 Secure Cloud Connector is a plug-in module that creates a secure VPN router for use with the Corvina Cloud connectivity architecture.

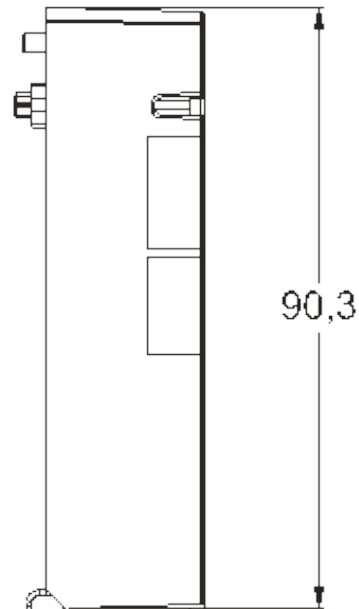
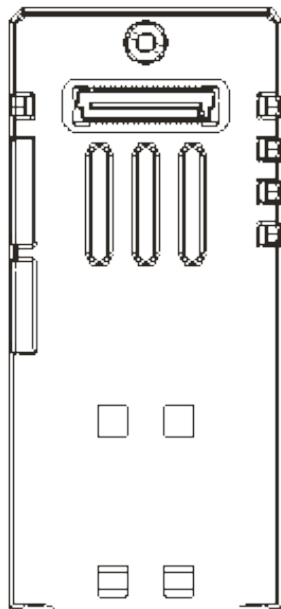
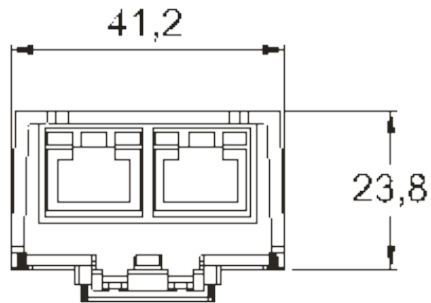
The PLCM07 Secure Cloud Connector is low cost solution designed for remote assistance and data acquisition for the Series 500, 500G, 600.

- Secure connection for industrial remote connectivity
- Based on Corvina Cloud Switchboard Server using secure connection based on OpenVPN/SSL
- Routing for direct access to remote sub-networks (i.e. PLC communications)
- Remote desktop for diagnostic of HMI applications
- Integration with JMobile Studio for remote update of OS, JM Runtime and applications
- Integration with JM4Web for remote web access
- Support virtual serial communication (pending)
- Communication support for programming remote PLC (Ethernet/serial)
- Compatible with main PLC brands
- Simple management of users/groups and devices/groups with Corvina Cloud software

# PLCM07 - Technical Data



System Resources	
CPU	ARM Cortex A8 1 GHz
Operating System	Linux 3.12
RAM	512 MB
Flash	4 GB
Interfaces	
Ethernet	2x 10/100 Mbit
USB	1x Host (V2.0, max. 500 mA)
Memory Card	microSD card slot
Environmental Conditions	
Operating temperature	-20° to +60°C
Storage temperature	-20° to +70°C
Operating and storage humidity	5 – 85 % relative humidity, non-condensing
Protection class	IP20
Approvals	
CE	Emission EN 61000-6-4, Immunity EN 61000-6-2 for installation in industrial environments. Emission EN 60945, Immunity EN 60945 for marine environments
RCM	Yes



## Ordering Information

Model	Part Number	Description
PLCM07	+PLCM07U0P1	Router Plug-in – Secure Cloud Connector