

## Food & Beverage 7" TFT ARM Cortex-A9 dual core - 800 MHz

- Extensive Guarantee despite no Protective Casing
- Ease of Cleaning
- Real World IP69 Rating
- Glass Strength with Polyester Coating
- High Pressure 80°C Water Resistant
- Perfect Stainless Steel Bezel Design
- Acid Chemical Resistant
- Food Compliant Gasket
- Front panel and gasket guidelines:
  1. DIN EN1672-2
  2. EHEDG / FDA 21 CFR 177.2006



## Highlights

Where tough legislation requires that handling, preparation, processing and packaging of food is done to be extremely hygienic, the outstanding eX707FB 7" Food and Beverage HMI is the **best choice for manufacturer and final consumer**.

No other company offers such specialized solutions to the everyday problems faced in the Food and Beverage industry and in **particular the meat processing sector**.

The food & beverage and pharmaceutical sectors are very different environments from the industrial world. Although the set up of the production facilities might seem similar, **there are a series of legislative requirements and guidelines that are dramatically more onerous**.

EXOR has adapted its highly successful eX707 to meet these challenges. EXOR alters the HMI devices in many areas to comply with the CEI EN 60529 guidelines with an **incredible level of attention to eliminating the accumulation of food, grease, and product powder particles**.

The rugged stainless-steel fronts are **highly polished to allow particles to flow away** from the surface. The frame has the optimal **angle of contact to the machine surface** to both enable cleaning liquids to wash away and also **not to allow bacteria or microbes to remain**.

All these measures and more mean that EXOR can offer this product at a high protection **front panel rating of IP69**: resistance to frequent washing with water at high pressure and high temperature. Resistance to highly aggressive cleaning substances is a plus.

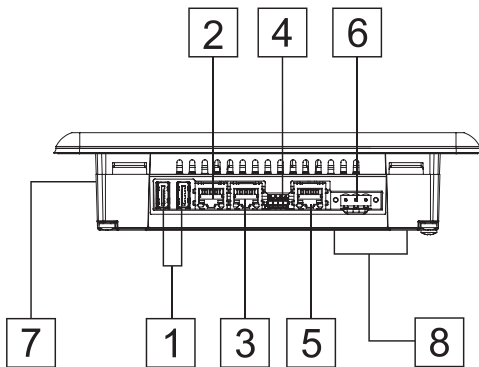
No longer will you need to contain the HMI devices within a costly cabinet as is so often seen. Industry sectors that might require this series are the **food, pharmaceutical and chemical industries or anywhere, where the highest level of attention to hygiene is a requirement for reputational risk**.



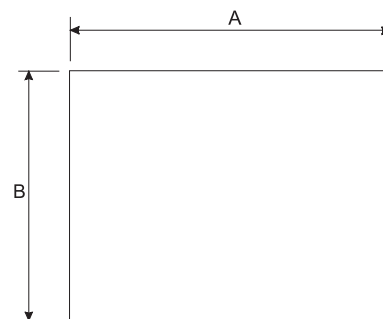
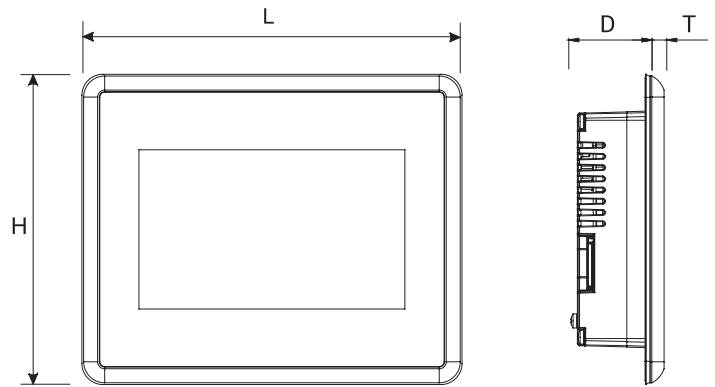
# eX707FB - Technical Data



System Resources	
Display - Colors	7" TFT 16:9 LED - 16M
Resolution	800x480, WVGA
Brightness	500 Cd/m <sup>2</sup> typ.
Dimming	to 0%
Touchscreen	Projected Capacitive, Multitouch
CPU	ARM Cortex-A9 dual core 800 MHz
Operating System	Linux RT
Flash	4 GB
RAM	1 GB
Real Time Clock, RTC Back-up, Buzzer	Yes
Interface	
Ethernet port	3 (port 0 - 10/100/1000, port 1 - 10/100, port 2 - 10/100)
USB port	2 (Host V2.0, max. 500 mA)
Serial port	1 (RS-232, RS-485, RS-422, software configurable) Max 3 serial ports using plug-in modules.
SD card	Yes
Expansion	2 slot for plug in modules
Ratings	
Power supply	24 Vdc (10 to 32 Vdc)
Current Consumption	0.7 A at 24 Vdc (max.)
Input Protection	Electronic
Battery	Rechargeable Lithium battery, not user-replaceable
Environment Conditions	
Operating Temp	-20° to +60 °C (vertical installation) Plug-in modules and USB devices may limit max temperature to +50 °C
Storage Temp	-20°C to +70°C
Operating / Storage Humidity	5-85% RH, non condensing
Protection Class	IP69 (front), IP20 (rear) Type: 12, 4X
Dimensions and Weights	
Faceplate LxH	217x177 mm (8.54x6.96")
Cutout AxB	176x136 mm (6.93x5.35")
Depth D+T	45+10 mm (1.77+0.4")
Weight	2.5 Kg
Approvals	
CE	Emission EN 61000-6-4, Immunity EN 61000-6-2 for installation in industrial environments
UL	cULus: UL61010-1 / UL61010-2-201
RCM	Yes



- 1 USB ports 1 and 2
- 2 Ethernet port 2 (10/100 Mb)
- 3 Ethernet port 1 (10/100 Mb)
- 4 Serial port
- 5 Ethernet port 0 (10/100/1000 Mb)
- 6 Power supply
- 7 SD Card slot
- 8 2 Expansion slots for plugin modules



Cut-out

## Ordering Information

Model	Part Number	Description
eX707FB	+EX707U4F1	7" widescreen TFT color projected capacitive touchscreen. Stainless steel bezel. Ethernet and USB interfaces. JMobile runtime. Blue front panel