

# eTOP510G Tech-Note

## Harsh Environment - 10" TFT ARM Cortex-A8 - 1 GHz

- Proven Long Term Reliability
- Brilliant Displays Readable in Full Sunlight
- PCAP Touchscreen
- All Metal Enclosure
- Coated Board Protection
- Protection Class True IP69K
- Extended operating temperature
- Module Design Plug Ins for Fieldbus + Networks
- Optional CODESYS integrated PLC
- DNV-GL, IECEx, ATEX
- cULus, cULus Haz. Loc.



## Highlights

The eTOP500 Glass with a **class-leading performance rating** it has become the choice for extreme conditions. What sets the model apart is the combination of the **rugged design** with the use of JMobile software which renders the **operation of the HMI extremely easy**: an important point when the surroundings are difficult.

Since 2011 EXOR Harsh Environment HMI's have been serving our customers in environments that are not only harsh for the working of the device but where its **reliable operation can be critical** for the safety of operators.

The eTOP500 Glass lived up to this challenge, with a class leading performance rate it has become the **choice for extreme conditions**.

Now joined with the harsh environment version of the powerful **eX700 Glass Series**, the benefits of IIoT can reach even the most inhospitable or remote of locations.

What sets the model apart is the combination of the rugged design with the use of JMobile software which renders the operation of the HMI extremely easy: an important point when the surroundings are difficult.

Connecting to a **vast array of networks and protocols** is achieved via the module design so again aiding the implementation of these HMI within existing architecture.



hkaco.com

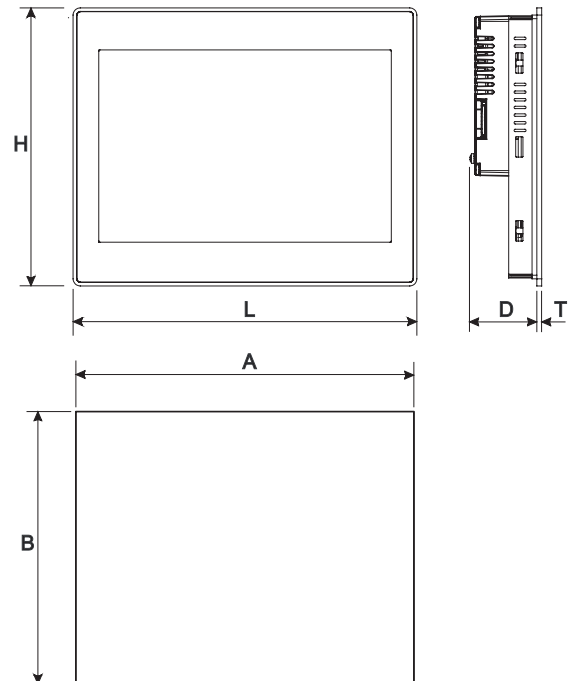
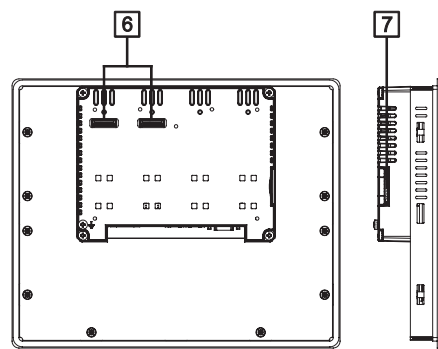
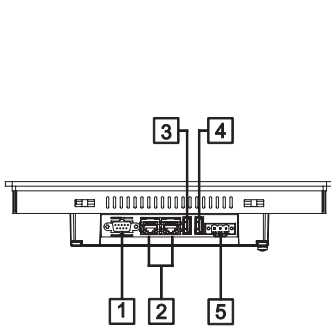


关注我们

# eTOP510G - Technical Data



<b>System Resources</b>	
Display - Colors	10.1" TFT 16:9 LED - 64K
Resolution	1280x800, WXGA
Brightness	600 Cd/m <sup>2</sup> typ.
Dimming	to 0%
Touchscreen	True Glass Projected Capacitive
CPU	ARM Cortex-A8 - 1 GHz
Operating System	Microsoft Windows CE 6.0
Flash	256 MB
RAM	256 MB
Real Time Clock, RTC Back-up, Buzzer	Yes, Yes, Yes
<b>Interface</b>	
Ethernet port	2 (port 0 - 10/100, port 1 - 10/100) with integrated Switch
USB port	2 (port 1 - Host V2.0, port 2 - Host V2.0/1.1)
Serial port	1 (RS-232, RS-485, RS-422, software configurable) Max 3 serial ports using plug-in modules.
SD card	Yes
Expansion	2 slot for plug in modules
<b>Ratings</b>	
Power supply	24 Vdc (10 to 32 Vdc)
Current Consumption	1.0 A at 24 Vdc (max.)
Input Protection	Automatic
Battery	Rechargeable Lithium battery, not user-replaceable
<b>Environment Conditions</b>	
Operating Temp	-20 to +60 °C (vertical installation)
Storage Temp	-20 to +70 °C
Operating / Storage Humidity	5-85% RH, non condensing
Protection Class	IP69K (front), IP20 (rear) Type: 12, 4X
<b>Dimensions and Weights</b>	
Faceplate LxH	282x197 mm (11.10x7.80")
Cutout AxB	271x186 mm (10.67x7.32")
Depth D+T	52+8 mm (2.20+0.33")
Weight	Approx 2.7 Kg
<b>Approvals</b>	
CE	Emission EN 61000-6-4 Immunity EN 61000-6-2 for installation in industrial environments
UL	cULus: UL508
UL	cULus: Class I Div. 2
IECEX	Zone 2/22: Ex nA IIC T4 Gc -20<Tamb<+60°C, Ex tc IIIC T105°C Dc
ATEX	Zone 2/22: II 3G Ex nA IIC T4 Gc -20<Tamb<+60°C II 3D Ex tc IIIC T105°C Dc
DNV-GL	Yes
RCM	Yes



Cut-out

- 1 Serial Port
- 2 2x Ethernet Port
- 3 USB port (version 2.0 - 1.1)
- 4 USB port (version 2.0 High speed only)
- 5 Power Supply
- 6 2x Expansion slot for Plugin module
- 7 SD Card Slot

## Ordering Information

Model	Part Number	Description
eTOP510G	+ETOP510U5P1	10.1" widescreen TFT color with projected capacitive touchscreen. Ethernet and USB interfaces. JMobile runtime.