

eCCF104M Tech-Note

Intel® Celeron® (J1900) Factory Automation Fanless

- Palm size form factor design
- Onboard Intel® Celeron® J1900 processor with 4GB DDR3L RAM
- 2 x Intel® I211 GbE LAN ports; support WoL and PXE
- 1 x RS232/485 with auto flow control
- Support +24VDC input ±20%
- TPM 2.0 onboard



Highlights

eCC product line comes in a range of form factors and processor configurations including Intel Atom® and Intel® Celeron® processors to suit for different factory automation applications use.

For eCCF104M, it positions itself at the entry level of fieldbus controller, and suitable for M2M communication gateway and data server applications.

Boosted by Intel® BayTrail J1900 processor and the palm size form-factor, eCCF104M is an ideal product for automation controller or smart gateway.

Using libraries of reusable logic and motion functionality, control schemes can be developed with reduced programming efforts for fast deployment of SoftPLC controller and M2M gateway.

eCCF104M Technical Data



CPU Support

- onboard Intel Celeron® processor J1900, Quad Core 2GHz

Main Memory

- onboard type 4GB DDR3L RAM (J1900), un-buffered and non-ECC

Display Option

- HDMI

I/O Interface-Front

- LED for power, battery, TX, RX, WWAN, WLAN, GPO1, GPO2
- 1 x RS-232/485 with auto flow control (support 2.5KV isolation protection)
- 2 x Intel® I211 GbE LAN controller (both jumbo frame: 9KB)
- 1 x USB 3.0 ports (900mA per each)
- 1 x USB 2.0 ports (500mA per each)

I/O Interface-Top

- 1 x HDMI port
- 1 x System reset button
- 1 x 4-in/4-out 5V GPIO via 10-pin terminal block (5V/TTL type)

Storage Device

- optional mSATA module (no eMMC onboard)

Expansion Options

- 1 x Full size mini-PCIe socket
- USB & mSATA signal
- 1 x Half size mini-PCIe socket for optional Wi-Fi/4G/3.5G/LTE modules (USB signal & PCIe signal)

Power Requirement

- Power input: typical +24VDC ±20%
- 1 x Optional 24V, 60W power adapter

Dimensions

- 56.5mm (W) x 100mm (D) x 130mm (H)

Construction

- Aluminum and metal chassis with front access design

Environment

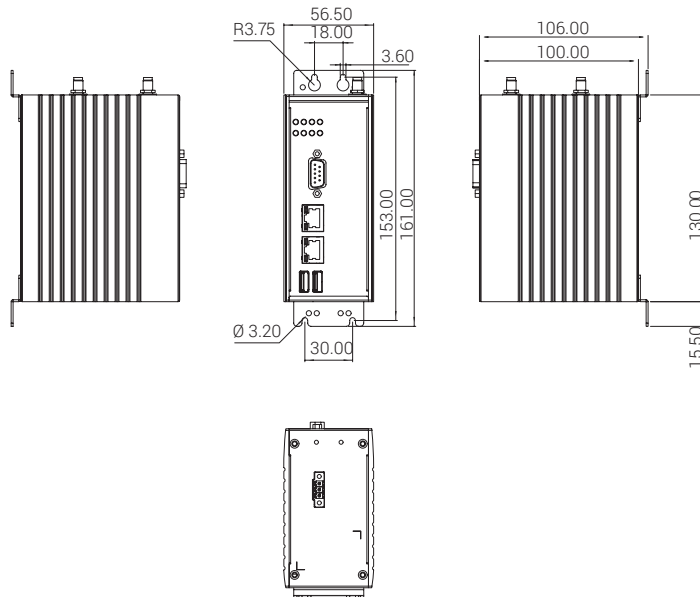
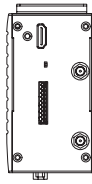
- Operating temperature: Ambient with air flow: -5~50°C (according to IEC60068-2-1, IEC60068-2-2, IEC60068-2-14)
- Storage temperature: -20°C~80°C
- Relative humidity: 10%~93% (non-condensing)
- Shock protection: mSATA/eMMC:50G,halfsine,11ms,IEC60068-27
- Vibration protection w/ mSATA or eMMC condition: Random: 2Grms@5~500Hz,IEC60068-2-64 Sinusoidal: 2Grms@5~500Hz,IEC60068-2-6

Certifications

- CE Approval EN61000-6-2 EN61000-6-4
- FCC Class A

Support OS

- Windows 10 IoT Enterprise, 64-bit
- Windows Embedded Standard 7, 32-bit/64-bit
- Linux Kernel version 3.8.0
- Ubuntu 14.04



hkaco.com



关注我们

Model	Part Number	Description
eCCF104M	+70ECCF104M	Intel® Celeron® (J1900) Factory Automation Fanless System in Palm Size