

eCC51 Tech-Note

Intel® Celeron® Processor N3350 Dual Core Fanless System



- Onboard Intel® Celeron® processor N3350 Dual Core, 2.4GHz
- 1 x DP display
- 2 x Intel® I211AT GbE LAN ports; support WoL, teaming and PXE
- 2 x USB 2.0
- 2 x USB 3.0
- 1 x mini-PCIe sockets for optional Wi-Fi/3.5G/LTE module
- 2 x M.2 slot for Wi-Fi/Bluetooth and storage/LTE modules
- 2 x RS232, 1 x RS422/485 with auto flow control
- Support -5~55 degree C operating temperature
- Support 12V and 24V DC input

Highlights

Powered by the latest generation of Intel® Celeron® processor N3350 (formerly codenamed “Apollo Lake”), eCC51 series positions at the intelligent IoT gateway for factory automation and for smart city applications.

Up to 8G onboard DDR3L memory, the eCC51 series support operating temperature from -5 up to 55°C with 12V/24V DC input with +/-10% range. The eCC51 series have strong connectivity - Ethernet-based LAN port and traditional RS485, mainly for Modbus TCP or Modbus RTU communication. For wireless connectivity, there are 1 x mini-PCIe sockets and 2 x M.2 slots which can support optional wireless modules for IoT applications, for example, Wi-Fi, Bluetooth, 3.5G and 4G LTE module as well as storage module.

eCC51 is definitely the best choice for M2M intelligent system as an intelligent IoT gateway.

eCC51 Technical Data



CPU Support

- Default: onboard Intel® Celeron® processor N3350 Dual Core, 2.4GHz
- Option: support Intel Atom® E3900 processor family from Dual Core
- E3930 to Quad Core E3950 (by request)

Main Memory

- 1 x DDR3L SO-DIMM socket, support DDR3L 1866 8GB RAM max., un-buffered and non-ECC

Display Option

- 1 x DP display

I/O Interface-Front

- ATX power on/off switch
- 1 x Storage/2 x GPO programmable LED
- 1 x SIM card holder
- 2 x Intel® I211AT GbE LAN ports; support WoL, teaming and PXE
- 1 x DP display output
- 2 x USB 2.0
- 2 x USB 3.0
- 3 x Antenna holes for optional Wi-Fi/3.5G antenna
- I/O Interface-Rear
- 3 x DB9 for COM1 & COM2 & COM3
- COM1/COM2: full RS232 signal
- COM3: RS422/485 auto flow control
- 1 x Line-out
- Support 12V/24V DC input

I/O Interface - Internal

- 4 x GPI and 4 x GPO (programmable to GPI or GPO)
- 1 x DB9, only support RS232, Tx/Rx/GND single

Storage Device

- Onboard 16GB EMMC, max up to 32G by request

- Optional M.2 B, BM key 2242 module

Expansion Slot

- 1 x mini-PCIe socket for optional Wi-Fi/3.5G module and 2 x M.2 slot for optional WiFi/Bluetooth and LTE modules

Power Requirements

- Power input: 12V/24V DC +/-10%
- 1 x Optional 24V, 60W power adapter

Support OS

- Linux Kernel version 4.1 with 16GB eMMC
- Windows 10 IoT Enterprise with 32GB eMMC

Dimensions

- 162mm (W) x 26mm (H) x 150mm (D) without wall-mount bracket

Construction

- Metal chassis with fanless design

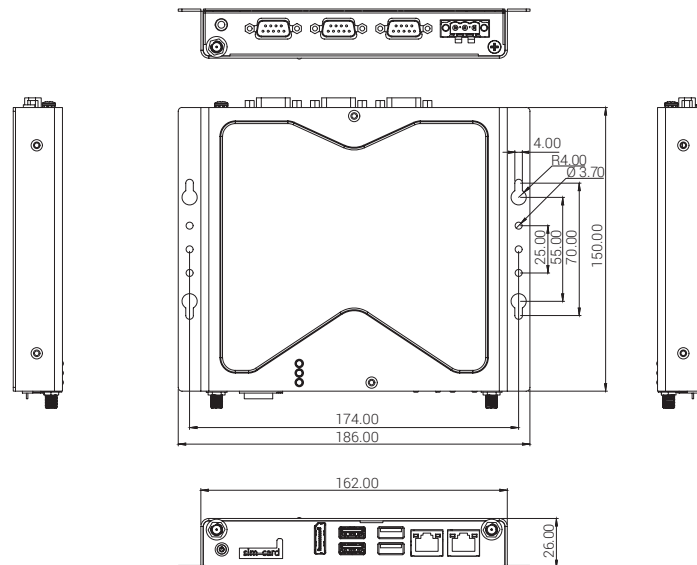
Environment

- Operating temperature:
- Ambient with air flow: -5°C to 55°C (according to IEC60068-2-1, IEC60068-2-2, IEC60068-2-14)
- Storage temperature: -20°C to 75°C
- Relative humidity: 10% to 95% (non-condensing)
- Shock protection:
- M.2/EMMC: 50G, half sine, 11ms, IEC60068-27
- Vibration protection w/M.2 or EMMC condition:
- Random: 2Grms @ 5~500 Hz, IEC60068-2-64
- Sinusoidal: 2Grms @ 5~500 Hz, IEC60068-2-6

Certifications

- CE
- FCC Class A

mini-PCIe	Configuration	USB	PCIe	SATA	3.5G/4G	WiFi/Bluetooth	Storage
Mini_card1	Full size	v	v	N/A	Support	Support	N/A
M.2	Configuration	USB	PCIe	SATA	3.5G/4G	WiFi/Bluetooth	Storage
M.2_Key_A1	A, AE key 2230	v	v	N/A	N/A	N/A	N/A
M.2_Key_B1	B, BM key 2242/3042	v (3042)	N/A	v (2242)	Support (3042)	N/A	Support (2242)



hkaco.com



关注我们

Model	Part Number	Description
eCC51	+70ECC51	Intel® Celeron® Processor N3350 Dual Core Fanless System