



Panel

- LCD size: 15", 4:3
- Resolution: XGA 1024 x 768
- Luminance: 400cd/m²
- Contrast ratio: 2500
- LCD color: 16.7M
- Viewing angle: 88 (U), 88 (D), 88 (L), 88 (R)
- Backlight: LED

Touch Screen

- 5-wire resistive (flush panel type)
- Light transmission: 81%
- Interface: USB

System

- CPU: on-board Intel® Celeron® Quad Core processor J1900 processor, up to 2.42GHz, 2M L2 cache
- BIOS: AMI BIOS
- System memory: 2 x 204-pin DDR3L SO-DIMM socket, 4GB DDR3L (default), support up to 8GB DDR3L-1066/1333, non-ECC and un-buffered
- Storage device:
 - 1 x external locked CFast socket
 - 1 x hard drive bay: optional 1 x 2.5" SATA HDD or 1 x SATA DOM
- Watchdog timer: Watchdog timeout can be programmable by software from 1 second to 255 seconds and from 1 minute to 255 minutes (tolerance 15% under room temperature 25°C)
- H/W status monitor: monitoring system temperature, and voltage
- Expansion: 2 x mini-PCIe sockets (support optional Wi-Fi, 3.5G module)

Rear I/O

- Ethernet: 2 x RJ45
- 2nd display VGA port: 1 x DB15
- Audio port: 1 x Line-out
- USB: 2 x USB 2.0, 1 x USB 3.0
- Power switch
- Reset button
- 2-pin remote power on/off switch
- COM #1: RS232/422/485 w/ 2.5kv isolated

- COM #2: RS232/422/485 w/ 2.5kv isolated

Audio

- HD audio codec: realtek ALC886-GR
- Audio interface: Line-out

Ethernet

- LAN chip: dual Intel® I210AT Gigabit LAN
- Ethernet interface: 10/100/1000 Base-Tx Ethernet compatible

Mechanical & Environment

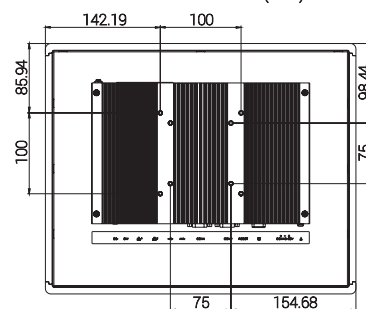
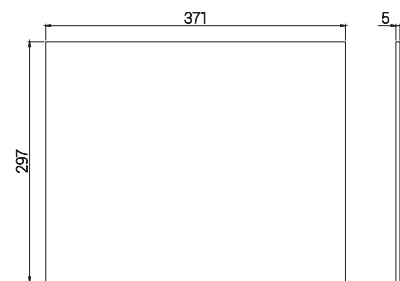
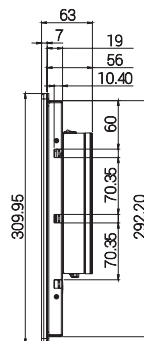
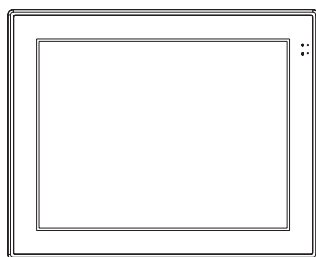
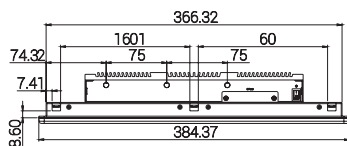
- Color: Pantone black\RAL 15 00 front bezel w/ Pantone 400C\RAL 090 80 10 metal style membrane and black silver PC box
- IP protection: IP65 front
- Mounting: panel/wall/stand/VESA 100mm x 100mm
- Power input: 12V~30VDC
- Power adapter: optional AC to DC power adapter (+12V, 60W)
- Vibration:
 - IEC 68 2-64 (w/ HDD)
 - 1Grms @ sine, 5~500Hz, 1hr/axis (HDD operating)
 - 2Grms @ sine, 5~500Hz, 1hr/axis (CFast operating)
 - 2.2Grms @ random condition, 5~500Hz, 0.5hr/axis (non-operating)
- Shock:
 - IEC 68 2-27
 - HDD: 20G@wall mount, half sine, 11ms
- Operating temperature: -5°C to 60°C
- Storage temperature: -20°C to 75°C
- Operating humidity: 10%~90% relative humidity, non-condensing limits to be at 90% RH at max 50°C
- Dimension: 384.37 x 309.95 x 63.2 mm
- Weight: 5.1 Kg

Certifications

- CE approval
- FCC Class A

OS Support Lists

- Windows 7 32-bit/64-bit
- Windows 10 IoT 32bit/64 bit



hkaco.com



关注我们

Ordering Information

Model	Part Number	Description
eTOP-EPC1540T	+71EPC1540TJ	15" TFT XGA 4:3 Flush Panel PC with Intel® Celeron® J1900, up to 2.42GHz, Touch Screen, 4GB DDR3L, 3 x USB, 2 x COM